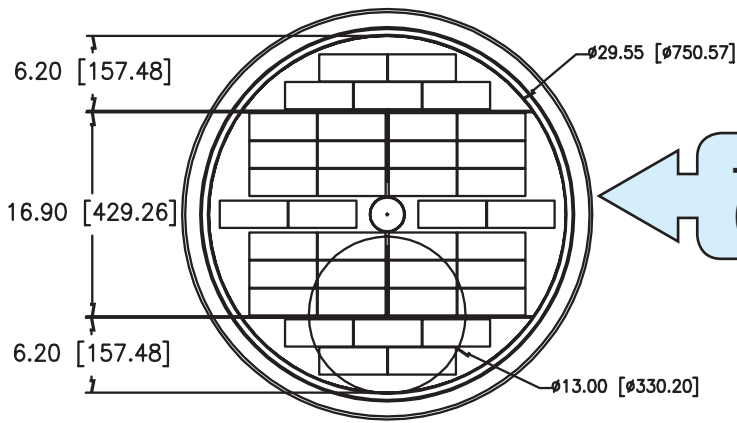
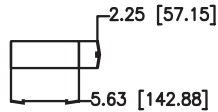


LABS-20K



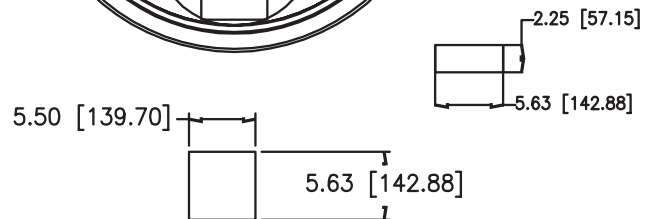
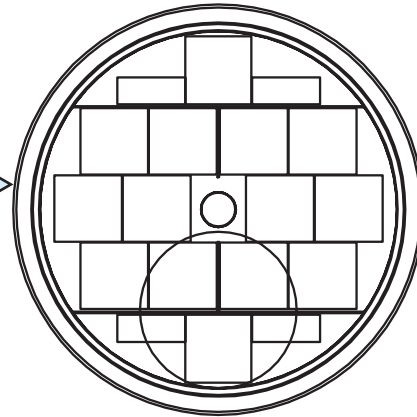
TOTAL 5/2 HALF RACKS 2.25 X 5.625: 38
(BOXES: 190)



TOTAL 13/2 RACKS 5.50 X 5.625: 14
(182 BOXES)

TOTAL 5/2 HALF RACKS 2.25 X 5.625: 4
(20 BOXES)

DATE: 2/4/2013



ALL DIMENSIONS ARE IN INCHES UNLESS OTHERWISE NOTED